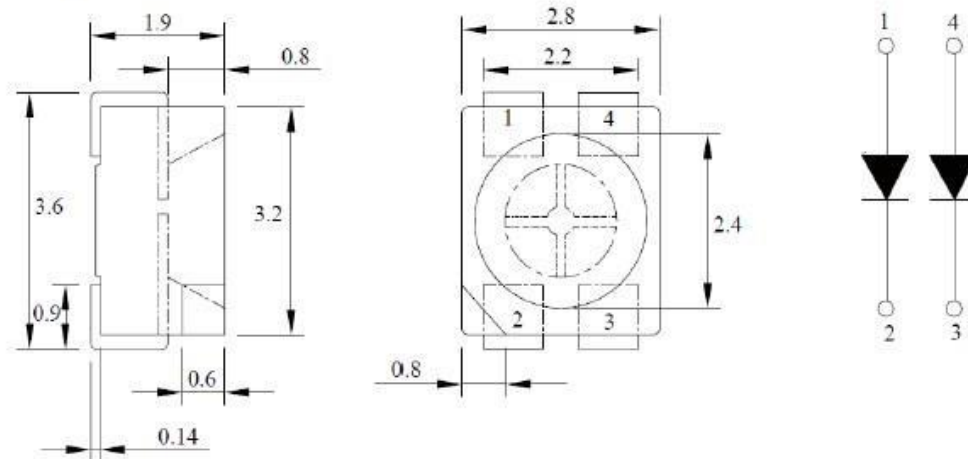


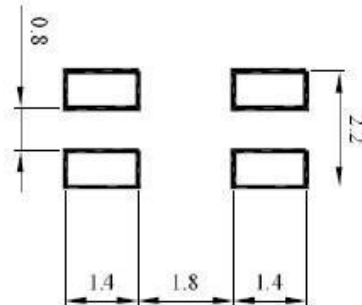
### 3528 bi-color smd led

High Bright High Quality PLCC4 Dual Colour 3528 SMD 4 Pins Red Yellow Bi-Color LED Chip, full colors are available.

#### ■ Package Dimensions:



#### ■ Reflow Soldering Pad Dimensions:



#### Notes:

1. All dimensions are in millimeters (inches).
2. Tolerance is  $\pm 0.10\text{mm}$  (0.004") unless otherwise specified.

### Features

Package ( L/W/H ) : 3.5×2.8×1.9 mm

Color : Ultra High Bright Bi-Color

Lens: Water Clear Flat Mold

EIA STD Package

Meet ROHS, Green Product

Compatible With SMT Automatic Equipment

Compatible With Infrared Reflow Solder Process

### Detailed parameter of smd 3528 led

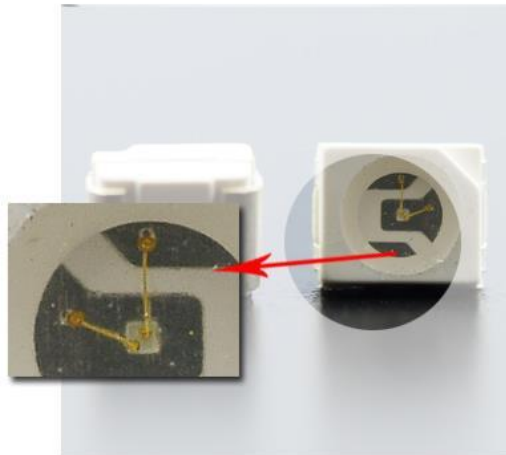
PRODUCT PARAMETER



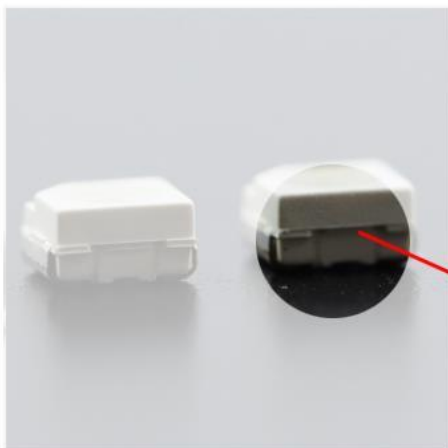
LED Size	3.5*1.9*2.8mm
Color	YELLOW GREEN
Wavelength	570
Forward Voltage	1.8-2.4
Forward Current	20mA
Luminous Intensity	50-100
Packaging	3000PCS

PRODUCT PARAMETER

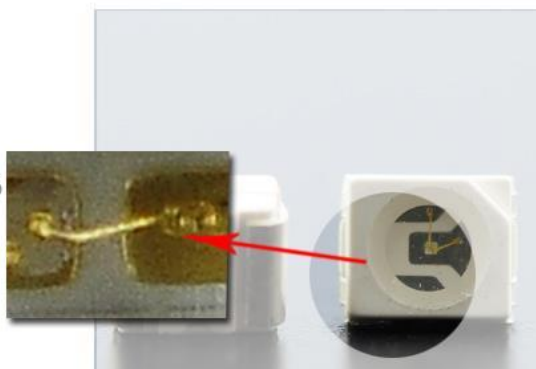
1. Chip, use large size regular square chip



2. Epoxy, use low light decay and high stability imported epoxy resin



3. Gold Wire, use 99.99% of the thousands of gold wire



## Packaging Details

2000 pieces each reel;

1 reel in an anti-static bag;

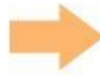
10 reel in an box;

4 box in one carton.

PACKAGING SHOW



Taping



Bagging



Packing

Ten Bag Packing

## Company Profile

Dongguan Zhiding Electronics Technology Co., Ltd is awarded High-Tech enterprise by China with more than 10 years experience in LED industry.

ZHIDING specially R&D, manufacture and sales LED, SMD LED, DIP LED (Lamp LED, Through Hole LED) and High Power COB integrated LED. Good Quality, Competitive Price and Good Service!

For SMD LED, we have package 0402, 0404 (1010), 0603 (1608), 0605 (1615), 0805 (2012), 1206 (3216 3215), 1204 (3210), 3014, 3020, 3528 (1210), 2835, 5050 (5054),

5630 5730, Top View & Side View, in Single Color, Bi-color and RGB Full color, Red, Blue, Green, Yellow, Orange, White, Warm White, Purple, Pink, Red/Blue, Red/White, Red/Green, Red/Yellow, Blue/Green, Yellow/Green, RGB full color etc..

For DIP LED (Lamp LED, Through Hole LED), we have 3mm, 5mm, 8mm and 10mm Single color, Bi-color and RGB Tri-Color, Red, Blue, Green, Pure Green, Yellow, Orange, White, Warm White, Purple, Pink, Red/Blue, Red/Green (Common Anode & Common Cathode), RGB full color etc..

For High Power COB integrated LED, we have 1-300W, White, Red, Green, Yellow, Blue, Orange, Bi-Color, RGB etc.

Our factory are with certificates of ISO9001 and ISO14000.

Our products are with certificates of RoHS, CE, SGS, Reach Test etc..

### WHY CHOOSE US

- OEM ODM**  
Customized design is available, OEM and ODM are welcomed.
- Thumbs Up**  
We have best production capability, best quality control, best service.
- Three People**  
Reply your inquiry in 24 working hours.
- Star Award**  
Customized design is available, OEM and ODM are welcomed.

## CERTIFICATION



## FAQ

Q1. Can I have samples order for LED?

Yes, if quantity is small, we can supply samples free of charges. Just you need pay for shipping cost. It is better that you have account number of DHL, TNT, UPS, FedEx or Aramex. If you have no it, you could pay us shipping cost and we ship the samples via DHL, TNT, UPS, FedEx or Aramex.

Q2. What about the lead time?

If we have the products in our stock, lead time is 3-5 days. If we need special production, lead time is around 15 days.

Q3. Do you have any MOQ limit for LED order?

Yes, normally, MOQ is SPQ, Standard Packing Quantity.

Q4. How do you ship the goods and how long does it take to arrive?

Normally we ship the goods via international express. It is better that you have account number of DHL, TNT, UPS, FedEx or Aramex. If you have no it, you could pay us shipping cost and we ship the products via DHL, TNT, UPS, FedEx or Aramex. It takes around 2-6 days to arrive. And we can also ship the goods to your agent in China Mainland or HongKong.

Most of the regular items, we are stocked, so we have an advantage in the delivery period. In the absence of inventory, we will arrange production as soon as possible according to customer needs. Providing quality service to customers is the basic premise of our sales. Welcome to inquire about our products!

**WELCOME TO CONTACT US>>>>WWW.ZHIDINGLED.COM**



Oversea Sales Manager  
Elsa Xiao  
E-mail:sales@zhidingled.com  
Skype: elsa.xiao0418  
Mobile: 86-13412570091  
WhatsApp: 86-13412570091  
Tel: 86-769-22665151  
Fax:86-769-22665155